

BOSE ControlSpace® CC-16 Zone Controller

Safety Instructions

&

Install Guide



Important Safety Instructions

For the intended audience

This guide has been written for professional installers of sound systems.

1. **Read these instructions** – for all components before using this product.
2. **Keep these instructions** – for future reference.
3. **Heed all warnings** – on the product and in the installer's guide.
4. **Follow all instructions.**
5. **Do not use this apparatus near water or moisture.**
6. **Clean only with a dry cloth** – and as directed by Bose.
7. **Do not block any ventilation openings. Install in accordance with the manufacturer's instructions.**
8. **Do not install near any heat sources, such as radiators, heat registers, stoves or other apparatus (including amplifiers) that produce heat.**
9. **Refer all servicing to qualified service personnel. Servicing is required when the apparatus has been damaged in any way such as: power-supply cord or plug is damaged; liquid has been spilled or objects have fallen into the apparatus; the apparatus has been exposed to rain or moisture, does not operate normally, or has been dropped.** Do not attempt to service this product yourself. Opening or removing covers may expose you to dangerous voltages or other hazards. Please call Bose to be referred to an authorized service center near you.
10. **Do not let objects or liquids enter the product** – as they may touch dangerous voltage points or short-out parts that could result in a fire or electric shock.
11. **See product enclosure for safety related markings.**
12. **Only use attachments/accessories specified by the manufacturer.**

Important Safety Instructions

Information about products that generate electrical noise

This equipment has been tested and found to comply with the limits for a Class B digital device, pursuant to Part 15 of the FCC rules. These limits are designed to provide reasonable protection against harmful interference in a residential installation. This equipment generates, uses, and can radiate radio frequency energy and, if not installed and used in accordance with the instructions, may cause harmful interference to radio communications. However, this is no guarantee that interference will not occur in a particular installation. If this equipment does cause harmful interference to radio or television reception, which can be determined by turning the equipment off and on, you are encouraged to try to correct the interference by one or more of the following measures:

- Reorient or relocate the receiving antenna.
- Increase the separation between the equipment and receiver.
- Connect the equipment to an outlet on a different circuit than the one to which the receiver is connected.
- Consult the dealer or an experienced radio/TV technician for help.

This product complies with the Canadian ICES-003 Class B specifications.

The information furnished in this install guide does not include all of the details of design, production, or variations of the equipment. Nor does it cover every possible situation which may arise during installation, operation, or maintenance. If you need assistance beyond the scope of this user's guide, please contact our Customer Service department.

Important Safety Instructions

Caution

Check local regulations before installing the ControlSpace® CC-16 zone controller. The building code may require professional installation by a skilled technician or licensed contractor. Regional electrical codes may require similar qualifications for wiring the system. This product must be used with a Class 2 power supply.

Please read this install guide

The CC-16 zone controller is engineered to provide customized on-site controls for ControlSpace sound systems. Please read this guide to help you install and use your controller correctly.

Regulatory information

An example of this equipment has been tested and found to comply with the following International Standards for Electromagnetic Compatibility:

- Radiated Emissions (EU) EN55103-1

- Immunity (EU) EN55103-2

- Radiated Emissions (USA): FCC part 15 Class B

- This Class B device meets all requirements of the Canadian Interference-Causing Equipment Regulations.

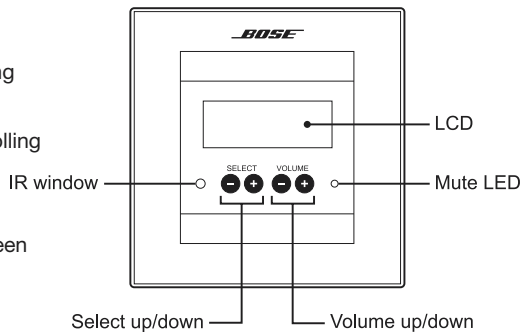
Introduction

The Bose® ControlSpace® CC-16 zone controller is an elegant wall-mounted device designed to provide end-user control of ControlSpace systems. Custom programming allows the CC-16 to control a variety of the system elements, from switching audio sources to selecting “scenes” or system configurations. The CC-16 features a bitmap LCD and four buttons for displaying and controlling the system settings.

The CC-16 connects to the ControlSpace Engineered Sound Processor (ESP-88) at the RS-485 port. Up to fifteen CC-16 units can be used per each ESP-88 to provide localized control of the system. The maximum distance from ESP-88 to CC-16 is 2000 feet. As a networked device, remote reprogramming is possible at any time.

Features and functions

- 122 x 32 pixel backlit blue LCD
- LCD displays volume level and source/scene/preset setting
- Select up/down buttons for selecting sources or scenes
- Volume up/down buttons for controlling one or more gain controls
- IR receiver (for IR remote controls)
- RS-485 network supports up to fifteen CC-16 units per ESP-88
- DIP-switch for specifying network address and termination
- Universal mounting bracket
- UL and CE listed



Introduction

Quick start

1. Run power and network (2-wire) cables from the ESP-88 to the CC-16 mounting location and install a mounting box.
2. Set the DIP switches to define the unit address and termination (see silkscreen on back of CC-16).
3. Connect the power and network wires to the CC-16's terminal block and insert unit into the mounting box.
4. At the ESP-88, connect the network wire to the RS-485 port and connect the power cable to a power source.
5. Run the ControlSpace® Designer software to configure and test. The CC-16 must be connected to an ESP and configured with the ControlSpace Designer software before it can be used. Please refer to the Designer User's Guide for complete details on configuring and programming the CC-16 in a ControlSpace system.

CAUTION: *The building code may require professional installation by a skilled technician or licensed contractor.*

Installation

Cabling

The CC-16 zone controller requires power and network cables. In some cases, these can be supplied over the same multi-conductor cable. When multiple CC-16s are used, run the network (and optionally the power cable) from the ESP-88 to each zone controller in a daisy chain. You can also run multiple home runs from the ESP-88 to each CC-16 in a star configuration.

Note: *The ESP-88 does not supply power to the CC-16 zone controller. A separate power supply (not included) must be provided. Refer to Power Supply on page 12 for more information about the required power supply.*

The CC-16 can be wired using commonly available twisted-pair wire such as 24 AWG unshielded CAT-5. Only one pair of wires is needed for the network connection. For a daisy chain wired system, the maximum cable length is 2000 feet (610 meters). For a star topology, the maximum length is 1000 feet (305 meters).

When supplying power over the same cable as the network pair, the limiting factor will be the resistive loss in the wire. Smaller-gauge wire, will have higher resistance and cause a larger voltage drop at the CC-16. The CC-16 requires a minimum of 8VDC. 24 AWG wire has resistance of about 27 ohms per 1000 feet (305 meters), while 18 AWG wire has a resistance of about 7 ohms per 1000 feet (305 meters).

The maximum distance can be calculated as follows:

$$d = ((V_{\text{SUPPLY}} - 8V) / (\text{Number of CC-16s} * 100\text{mA})) / R_{\text{WIRE}} * 1000 \text{ feet}$$

For example, if V_{SUPPLY} is 12V, the number of CC-16s = 2 and $R_{\text{WIRE}} = 27$ (24 AWG), then:

$$d = ((12V - 8V) / (2 * 100\text{mA})) / 27 * 1000 \text{ feet} = (4 / .2 / 27 * 1000 \text{ feet}) = 750 \text{ feet (225 meters)}$$

Installation

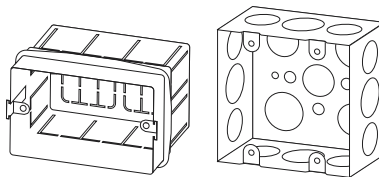
Maximum cable distances

Wire Gauge/ Power Supply Voltage	Number of CC-16s			
	1	2	4	15
24 AWG 18V	2000 ft (610 m)	1852 ft (564 m)	926 ft (282 m)	247 ft (75 m)
24 AWG 12V	1481 ft (451 m)	741 ft (226 m)	370 ft (113 m)	99 ft (30 m)
24 AWG 9V	370 ft (113 m)	185 ft (56 m)	93 ft (28 m)	25 ft (7 m)
18 AWG 18V	2000 ft (610 m)	2000 ft (610 m)	2000 ft (610 m)	1010 ft (308 m)
18 AWG 12V	2000 ft (610 m)	2000 ft (610 m)	1515 ft (461 m)	404 ft (123 m)
18 AWG 9V	1515 ft (461 m)	758 ft (231 m)	379 ft (115 m)	101 ft (31 m)

Installing the mounting box

Install a dual-gang electrical box for each CC-16. Install the wall box so that it is flush or just below the surface of the finished wall. The unit is designed to fit in North American, Japanese, Australian and some European dual-gang electrical boxes. Mount the European and Australian double-gang boxes horizontally and the North American and Japanese boxes vertically as shown below.

Select a place that is convenient for the people who will be controlling the system. We suggest mounting the unit at eye-level for optimal LCD viewing angle.



CAUTION: Do not install the CC-16 in a box that has AC power (mains).

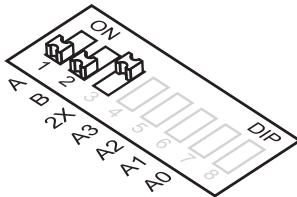
CAUTION: Do not place the power or network cables in the same conduit with the mains wire, unless you are sure that special regulatory insulation requirements are met. Consult your local electrical regulatory agency for further information.

DIP Switch Settings

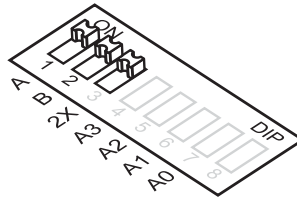
Termination

The CC-16 zone controller uses a 2-wire RS-485 network to communicate with the ESP-88 sound processor. For optimum performance, the RS-485 network must be “terminated.” The CC-16 includes built-in termination resistors which make it easy to terminate the network. Termination is accomplished by setting DIP switches 1 and 2 to the ON position.

- In most cases, only one CC-16 zone controller – the last unit in the daisy chain network (furthest away from the ESP-88) should have the termination set to ON.
- In a star topology, with the ESP-88 in the middle of two or more long runs, two units (the two furthest from the ESP-88) should have the termination set to ON.



Termination OFF



Termination ON

Note: Switch 3 (2X) should always be in the ON position.

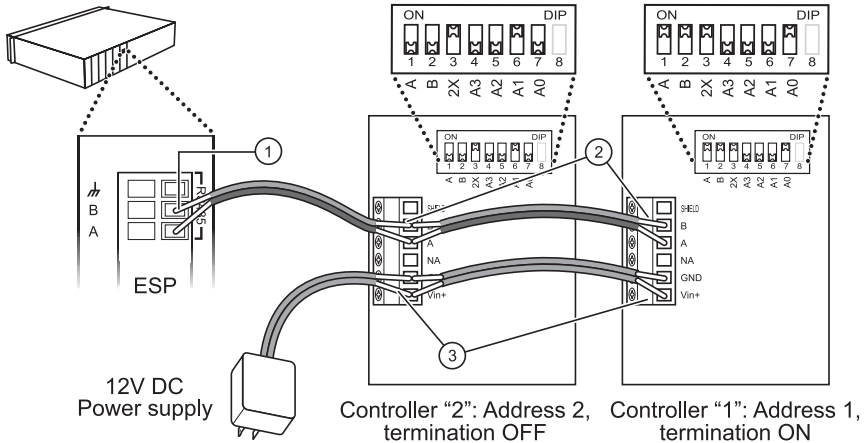
Wiring

Connecting the wires

The CC-16 zone controller uses a standard 6-wire Eurostyle terminal block for power and network connections.

1. Connect the network cable to the RS-485 A/B pins on the ESP-88. Note which wire is connected to A and B.
2. Connect the network cable to the CC-16 terminal blocks. Ensure the wire connected to “A” on the ESP-88 is the same one connected to “A” on the controllers and that the “B-wire” is connected to “B” on the controllers. Connect Shield to the RS-485 cable shield if necessary.
3. Connect the power supply to the Ground and Vin+ terminals on the controllers.

Wiring Example



Power supply

The CC-16 zone controller requires a minimum of 100mA at 8VDC. For convenience and consistency, we recommend you place the power supply in an equipment area adjacent to the network connection.

Power can be supplied over the network cable, from a power supply local to the unit, or from a remotely-located power supply with a separate cable run. The required cable AWG is dependent on the length of the run—the longer the run, the higher the voltage drop in the cable and the lower the required cable AWG.

Use the ControlSpace® accessory power supply or other suitable supply. Individual country requirements are:

- North America: Power supplies used in North America must be NRTL listed and/or CSA certified Class 2 supplies, as appropriate. The supply must comply with one of the following UL standards: UL6500, UL60950, or UL1310.
- Europe: Power supplies used in Europe must be in compliance with EN/IEC 60950 Clause 2.11.
- Japan: Power supplies used in Japan must be in compliance with DENAN Law and be marked with the PSE diamond.

CAUTION: *Never use more than one power supply on the same wire as this could cause slight differences in voltage that could damage the power supplies and/or the CC-16.*

Mounting

Mounting the CC-16 zone controller

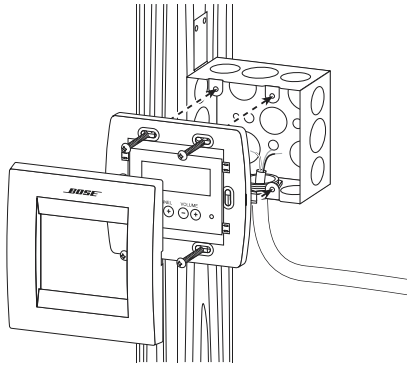


Warning: The CC-16 must be installed in a National Electric Code (NEC) approved, enclosed electrical wall box.

After setting the DIP switches and connecting the wires, mount the CC-16 zone controller in the electrical box. Two sets of screws are provided. Use the screws that are appropriate for your wall-box – the #6 for North American boxes, and the M4 for Japanese, European and Australian boxes.

CAUTION: Do not overtighten the screws. Overtightening may cause the frame to break.

Mounting the CC-16 Zone Controller in a North American 2-gang wall box



After screwing the frame into the wall box, remove the protective clear film and snap on the cover. The cover can be removed later using a small flathead screwdriver in the slots on the sides.

Troubleshooting

No power	<ul style="list-style-type: none"> • Ensure that the power supply is wired correctly and plugged in • Try disconnecting other CC-16s if sharing a supply • Verify that the supply is DC and provides a minimum 100mA at 8V
Screen is blank	<ul style="list-style-type: none"> • Press a button to see if backlight comes on (the backlight turns off after a period of inactivity)
No response when Volume or Select up/down buttons are pressed	<ul style="list-style-type: none"> • Check to see if the device is connected to an ESP-88 • Check the polarity of the wiring to the ESP-88 (A->A, B->B) • Check the DIP switch settings (2X should be ON) • If this is the end of a long run, check that the termination DIP switches are set to ON • Check that the Select and/or Volume parameters have been programmed using the Designer software. Refer to the ControlSpace® Designer Software user's guide for more information • Check that the controls have been linked (in the Designer software) to signal processing blocks in the ESP-88 • Ensure that the CC-16 address (set with DIP switches) matches the address of the device you programmed in Designer
Power on, but no sound	<ul style="list-style-type: none"> • Check that the system is not muted • Check that other components (sources and amps) are not muted and are wired correctly
Cannot "find" the device in Designer	<ul style="list-style-type: none"> • Verify that an ESP-88 has been added to your design • Verify that the ESP-88 "finds" the CC-16. (Look for the CC-16 in the <i>Properties</i> window and be sure it corresponds with the address you set on the CC-16.)

Specifications

Input voltage

8 - 18VDC, 100mA

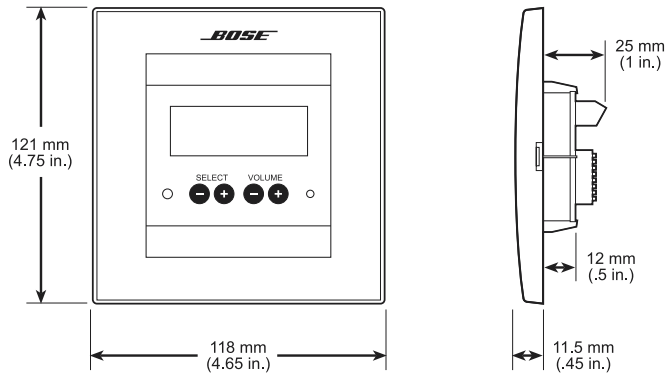
Max network cable length

2000 feet (609m)

Number of CC-16 zone controllers per ESP-88 Sound Processor

15

Dimensions



Warranty

Bose® Product Sales Conditions

Limited Warranty Policy and Conditions of Sale

Bose Corporation
The Mountain, Framingham, MA 01701

What is covered:

All parts defective in material and workmanship. This limited warranty for the Bose® ControlSpace® CC-16 Zone Controller covers the functionality of the system for its normal, intended use as specified in the Owner's Guide and does not cover a malfunction that has resulted from improper or unreasonable use or maintenance, accident, excess moisture, improper packing, lightning, power surges, or unauthorized tampering, alteration or modification while not under the control of Bose. Bose systems are not designed to be used in every environment, so please review your Owner's Guide. WHERE PERMITTED, THE PROVISIONS OF THIS LIMITED WARRANTY ARE IN LIEU OF ANY OTHER WRITTEN WARRANTY, WHETHER EXPRESS OR IMPLIED, WRITTEN OR ORAL, INCLUDING ANY WARRANTY OF MERCHANTABILITY OR FITNESS FOR A PARTICULAR PURPOSE.

For how long:

In countries where the duration of the warranty is not determined by statute, the Bose Limited Warranty lasts five years from the purchase date. For countries where minimum warranty terms are determined by statute, the warranty term is the longer of the statutory period or the term listed above.

What we will do:

We will repair or replace any defective parts within a reasonable period of time and free of charge.

How you can obtain warranty service:

1. You can ship the system to either a Bose Service Agency or to Bose directly with a proof of purchase from an authorized dealer. Please:
 - A. Properly and carefully pack the product for shipping. If you need a carton for shipping, contact Bose for a new carton.
 - B. Label and ship the product to the appropriate Bose location.
 - C. Please contact Bose to get a return reference number. Place this number prominently on the outside of the carton.
2. You can return the system with proof of purchase from an authorized dealer to a Bose Service Agency or directly to Bose. Proof of purchase is not required where it is excluded by statute.

Warranty

Other Rights:

EXCLUSIVE REMEDY:

THIS LIMITED WARRANTY IS FULLY TRANSFERABLE PROVIDED THAT THE CURRENT OWNER FURNISHES THE ORIGINAL PROOF OF PURCHASE FROM AN AUTHORIZED BOSE DEALER. THE MAXIMUM LIABILITY OF BOSE SHALL NOT EXCEED THE ACTUAL PURCHASE PRICE PAID BY YOU FOR THE PRODUCT. IN NO EVENT SHALL BOSE BE LIABLE FOR SPECIAL, INCIDENTAL, CONSEQUENTIAL OR INDIRECT DAMAGES. SOME PLACES DO NOT ALLOW LIMITATIONS ON THE EXCLUSION OR LIMITATION OF RELIEF, SPECIAL, INCIDENTAL, CONSEQUENTIAL OR INDIRECT DAMAGES OF THE LIMITATION OF LIABILITY TO SPECIFIED AMOUNTS, SO THE ABOVE LIMITATIONS OR EXCLUSIONS MAY NOT APPLY TO YOU.

OTHER CONDITIONS:

FOR YOUR BENEFIT, WE RECOMMEND THAT YOU RECORD YOUR SERIAL NUMBER(S), FOUND ON THE PRODUCT(S), AND OTHER PURCHASE INFORMATION, AND KEEP IT WITH YOUR PERSONAL RECORDS ALONG WITH PROOF OF PURCHASE. IF NECESSARY, THIS INFORMATION WILL ALLOW US TO BETTER SERVE YOUR NEEDS.

THIS LIMITED WARRANTY GIVES YOU SPECIFIC RIGHTS SUBJECT TO SPECIFIED CONDITIONS. YOU MAY ALSO HAVE OTHER LEGAL RIGHTS WHICH APPLY TO THE PRODUCT YOU HAVE ACQUIRED. THESE LEGAL RIGHTS VARY FROM STATE TO STATE OR COUNTRY TO COUNTRY. SOME PLACES DO NOT ALLOW THE EXCLUSION, RESTRICTION OR MODIFICATION OF CERTAIN IMPLIED RIGHTS OR THEIR EFFECT. IN THOSE SITUATIONS THIS LIMITED WARRANTY WILL ONLY APPLY TO THE EXTENT THAT THE APPLICABLE LAW ALLOWS. OTHER LAWS PROVIDE YOU WITH A STATUTORY CLAIM AGAINST THE SELLER.

The laws of your state or country may provide you with legal claims against the seller or manufacturer of this product. The Limited Warranty does not affect those rights.

Remedies:

The provisions of this limited warranty are in lieu of any other warranties or conditions, except those provided by law. This Limited Warranty does not affect any legal rights provided to you by law and does not preclude any legal remedy you may have under the law.

This Limited Warranty is fully transferable provided that the current owner furnishes the original proof of purchase from an authorized Bose dealer.

This Limited Warranty is void if the label bearing the serial number has been removed or defaced.







BOSE[®]
Better sound through research[®]

©2007 Bose Corporation, The Mountain,
Framingham, MA 01701-9168 USA
285042 AM Rev.01