

Bose® FreeSpace® DS 16F Loudspeaker

Installation Guide*

Installationsvejledning*

Installationsanleitung*

Guía de instalación*

Guide d'installation*

Guida all'installazione*

Installatiehandleiding*

Installationsanvisning*

BOSE®



** For use by trained installers only*

** Kun til brug for erfarne installatører*

** Montage ausschließlich durch ausgebildetes Installationspersonal*

** Para uso exclusivo de instaladores capacitados*

** Réservé aux installateurs ayant suivi une formation*

** Solo per l'uso da parte di installatori professionisti*

** Uitsluitend voor gebruik door ervaren installateurs*

** Ska endast användas av utbildade installatörer*

Installation

Package Contents

Kassen indeholde

Packungsinhalt

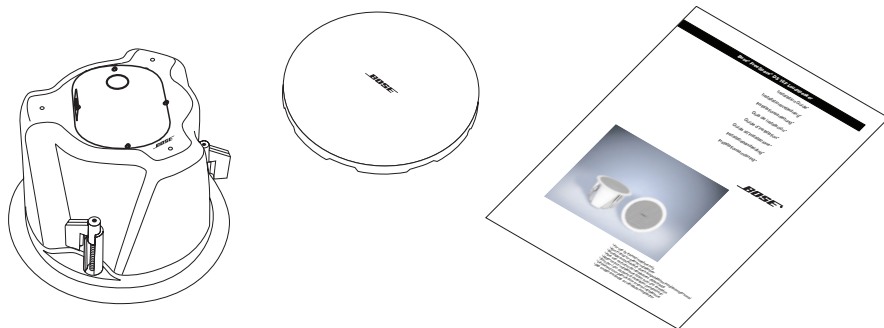
El paquete contiene

Contenu de l'emballage

Contenuto della confezione

Inhoud van de verpakking

Paketets innehåll



Dimensions

Mål

Abmessungen

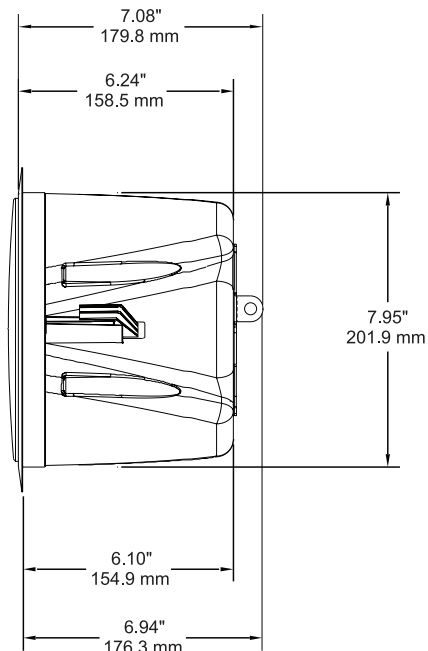
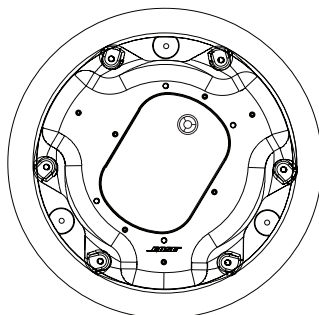
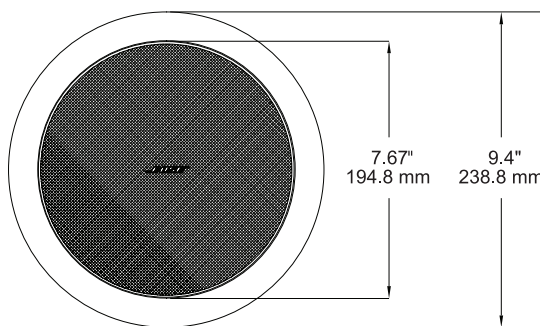
Dimensiones

Dimensions

Dimensioni

Afmetingen

Dimensioner



Choices

Requires use of a Bose® Tile Bridge or Rough-in Pan.

Valgmuligheder

Kræver brug af en flisebro eller skål til planmontering fra Bose®.

Optionen

Hierfür ist eine Bose®-Deckenbrücke oder ein Einbausatz erforderlich.

Opciones

Requiere el uso de un Puente de panel o Cubeta encastrable Bose®.

Au choix

Nécessite la plaque de renfort ou la plaque de montage Bose®.

Opzioni

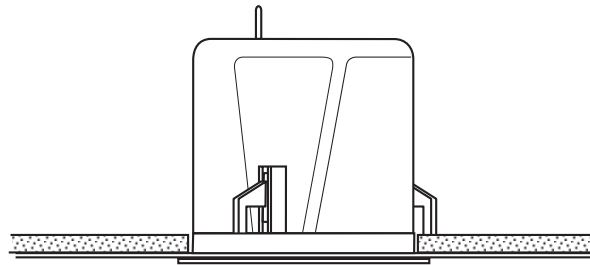
Richiede l'uso un bridge o un rough-in pan Bose®.

Keuzes

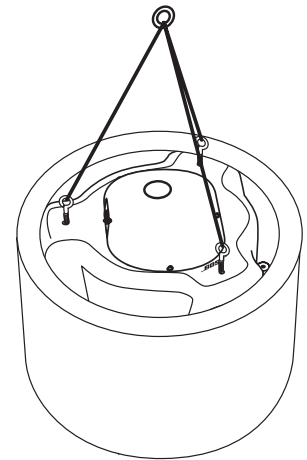
Vereist het gebruik van een bevestigingsplaat voor hangende plafonds met tegels of een pre-installatiekit.

Alternativ

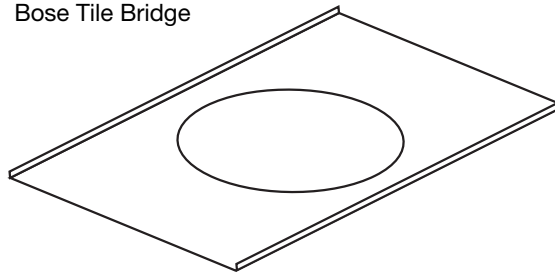
Kräver en Bose®-brygga eller avlastningsplatta.



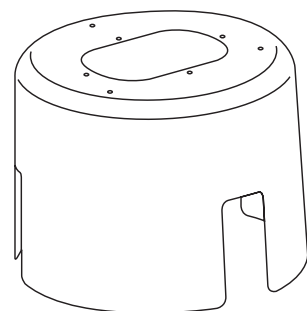
Bose Pendant Mount Kit



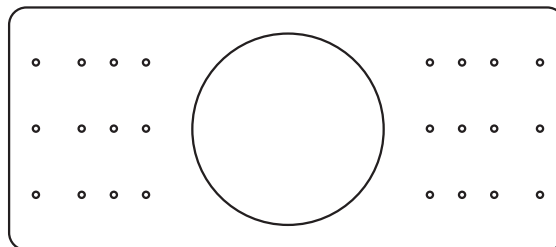
Bose Tile Bridge



PC-16 Plenum Cover



Bose Rough-in Pan



Connections

Be sure to observe all local building codes

Tilslutninger

Sørg for at overholde alle lokale byggereglementer

Anschlüsse

Beachten Sie die örtlichen Bauvorschriften

Conexiones

Asegúrese de seguir todas las normas de construcción locales

Raccorde-ments

Veillez à respecter la réglementation locale

Collegamenti elettrici

Attenersi alle norme locali per l'edilizia

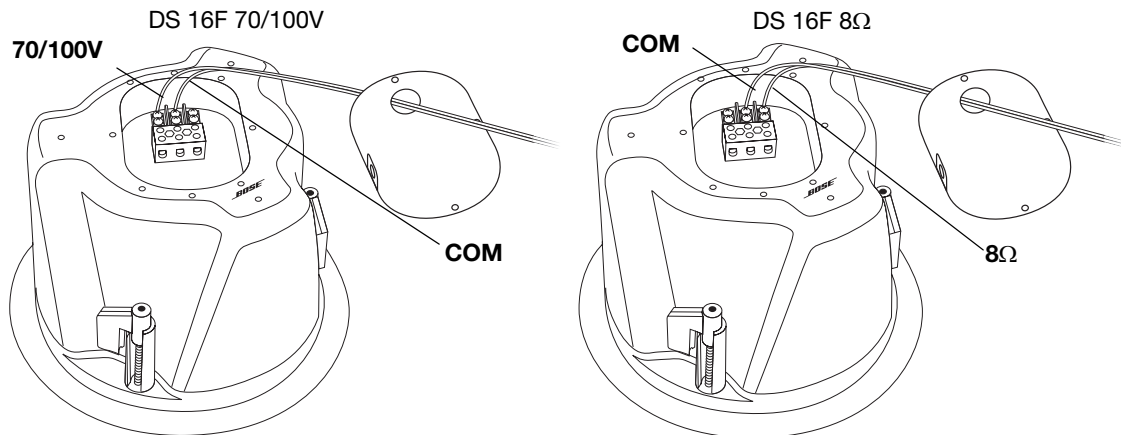
Verbindingen

Neem alle plaatselijke bouwverordeningen in acht

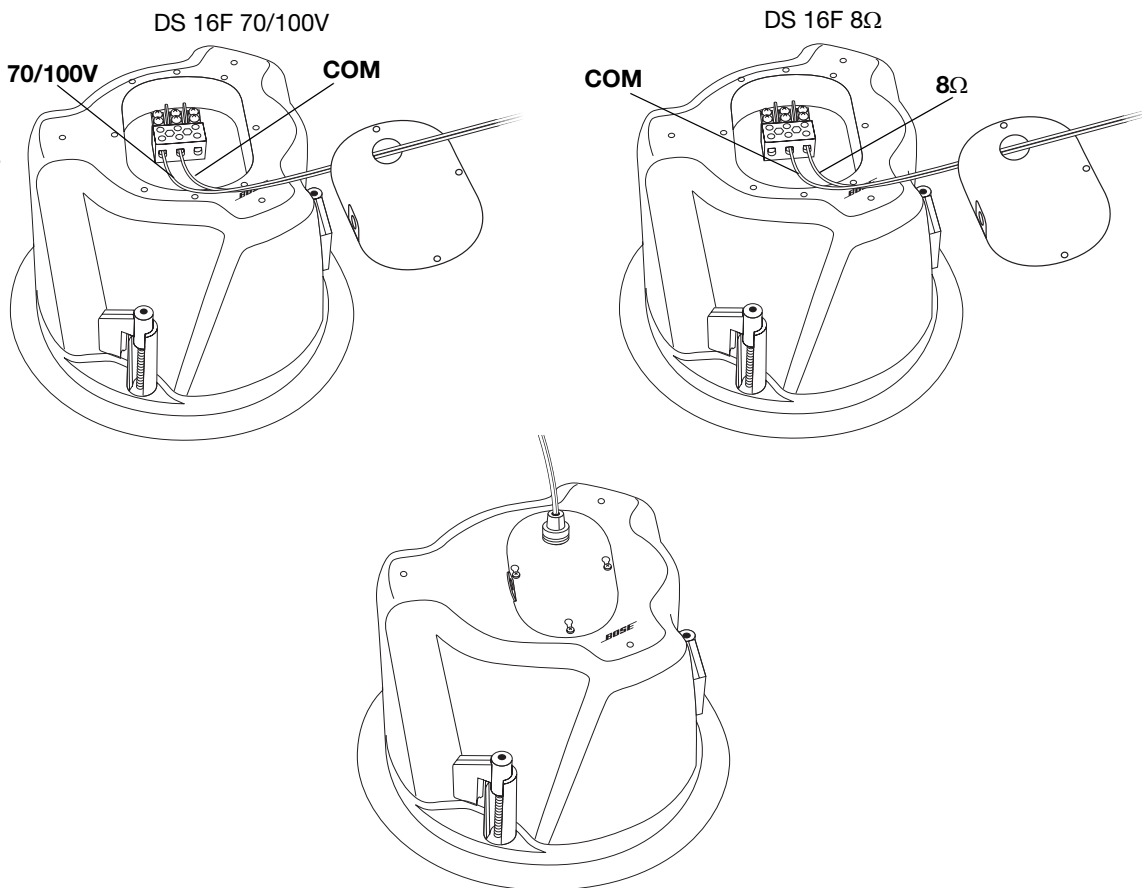
Anslutningar

Försäkra dig om att du följer alla lokala byggnadsbestämmelser

With use of direct input terminals
Ved anvendelse af direkte indgangsterminaler
Bei Verwendung der direkten Eingangsbuchsen
Con uso de terminales de entrada directa
Avec bornes à entrée directe
Con terminali di ingresso diretto
Via directe-ingangsconnectors
Vid användning av direkta ingångsterminaler



With use of the ceramic terminals
Ved anvendelse af keramiske terminaler
Bei Verwendung der keramischen Anschlüsse
Con uso de los terminales cerámicos
Avec les bornes en céramique
Con terminali in ceramica
Via de keramische connectors
Vid användning av keramiska terminaler



Mounting the loudspeaker

Montering til højttaleren

Aufbau die lautsprecher

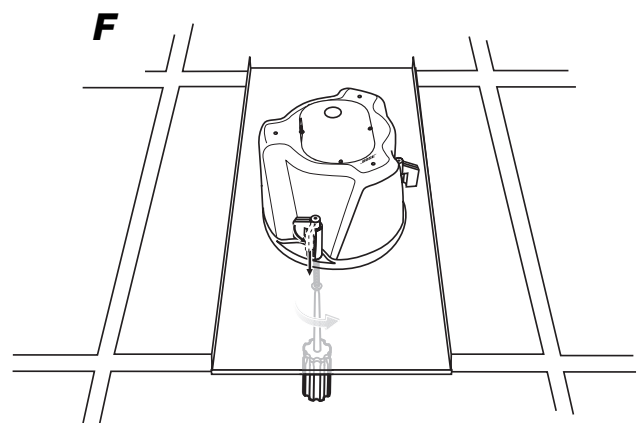
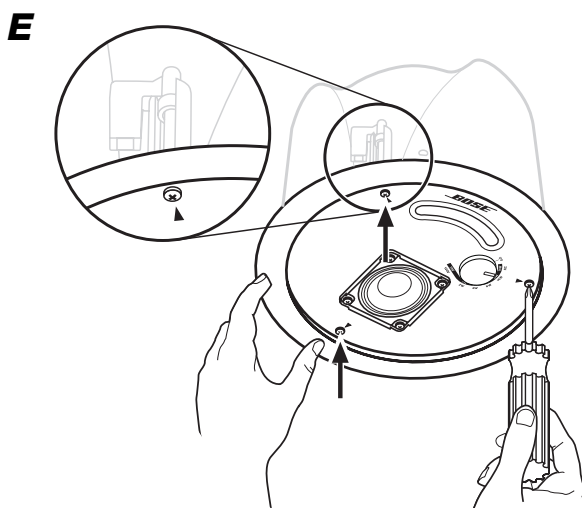
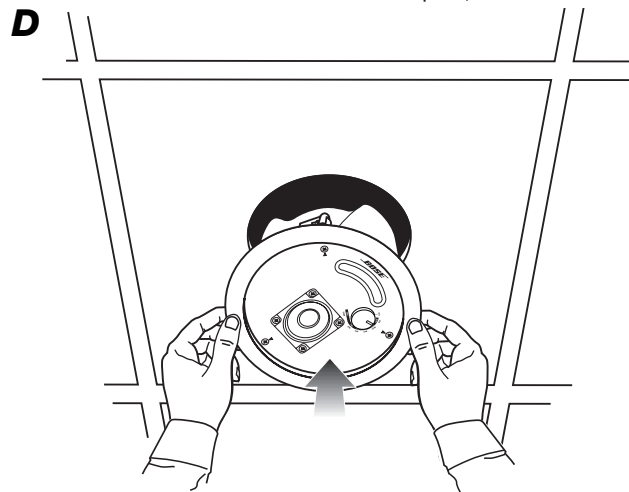
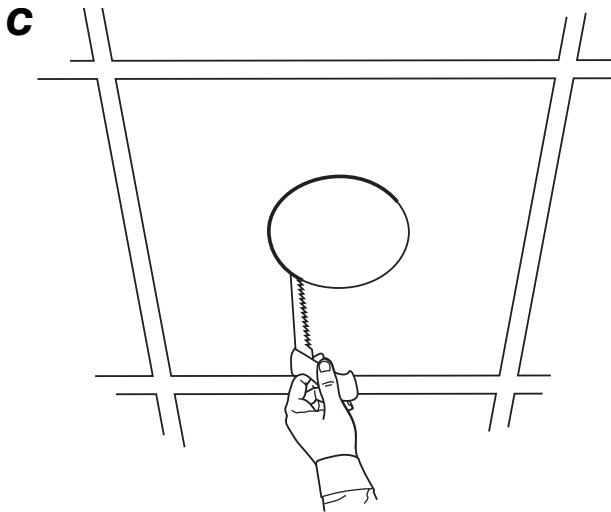
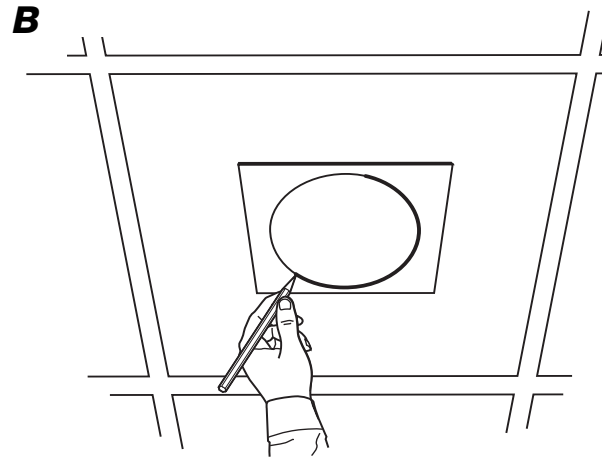
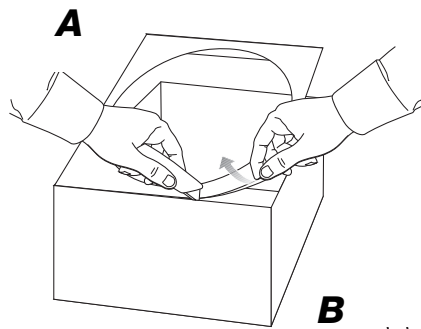
Montaje el altavoz

Fixation l'enceinte

Installazione il diffusore

**Monteren van de
luidspreker**

Montering det högtalare



English

Dansk

Deutsch

Español

Français

Italiano

Nederlands

Svenska

Transformer tap setting or bypass

Transformer tapsætning eller lavohms

Einstellen der Transformator-abgriffe bzw. deren Umgehung

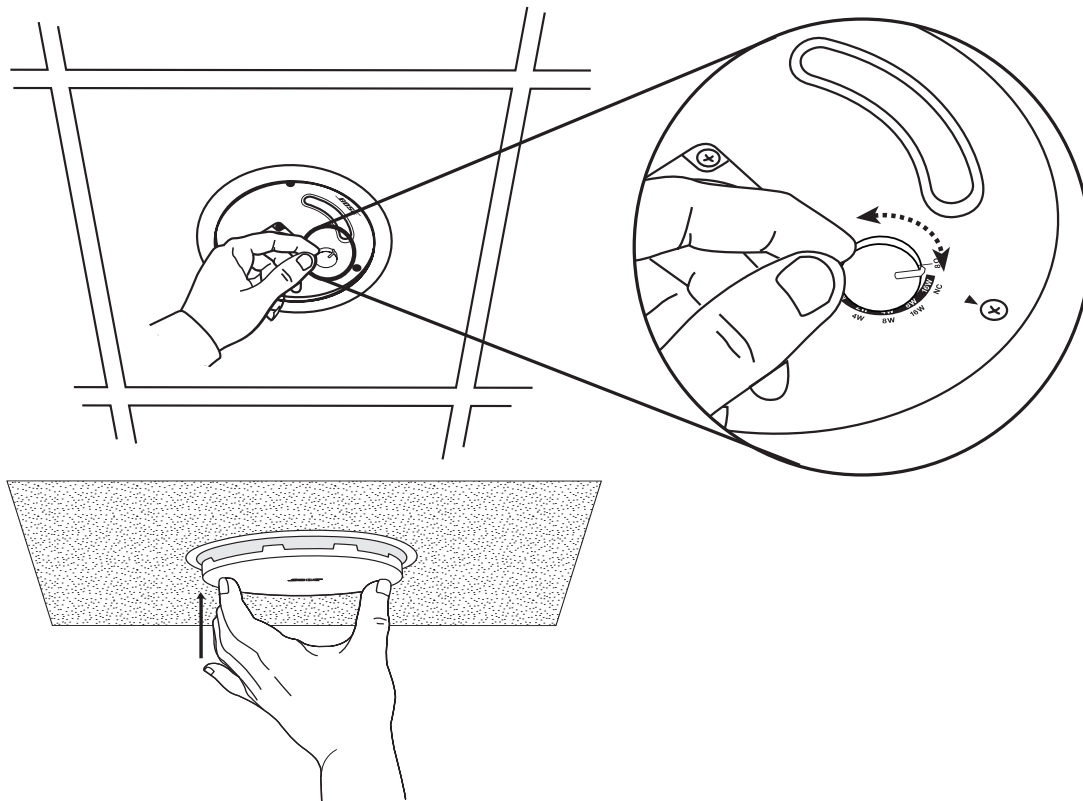
Ajuste del cambiador de la relación de transformación o bypass

Position des réglages ou shunt du transformateur

Trasformatore: impostazione delle potenze intermedie; esclusione.

Aftakkings-instelling van de transformator of bypass

Tappinställning eller avledning för transformator



Safety and regulatory compliance

The FreeSpace® DS 16F loudspeaker has passed extensive testing and complies with the following specifications and uses:

Listed to ANSI/UL 1480-2005

- Fire Protective Signaling Use – UL Category UUMW, File Number S 3241. Control Number 42S9. Not for use with DC-supervised systems.
- General Purpose Use – UL Category UEAY, File Number S 5591 Control Number 3N89.
- Suitable for use indoors in damp locations.
- Suitable for installation using Class 1, Class 2, or Class 3 wiring methods in accordance with NFPA 70, *National Electric Code*, 2002, Article 640.
- Suitable for use with fire alarm circuit wiring methods in accordance with NFPA 70, *National Electric Code*, 2002, Article 760.
- Suitable for use in air handling plenum spaces with a model PC-16 Plenum Cover installed.
- UL-2043, *Fire Test and Visible Smoke Release for Discrete Products and their Accessories Installed in Air Handling Spaces*.
- NFPA 70, *National Electric Code*, 2002, Article 300-22 (c).
- NFPA 90-A, 2002, *Installation of Air Conditioning and Ventilation Systems*, Paragraph 4.3.10.2.6.5.

EMC Directive 89/336/EEC and Article 10 (1) of the directive, EN50081-1 and EN50082-1 as signified by the CE mark.

The DS 16F also has been designed to the requirements defined in the following European regulatory specifications for combination systems:

- British Standard Code of Practice BS 5839, Part 8 (with PC-16).
- Tested to IEC60268-5.

UL Sensitivity Wattage Tap Sound Pressure Level dBA at 3.1 meters (10 feet):

Wattage	ANSI/UL 1480-2005	
	70V	100V
1 Watt	72 dBA	-
2 Watt	75 dBA	75 dBA
4 Watt	79 dBA	79 dBA
8 Watt	81 dBA	81 dBA
16 Watt	83 dBA	83 dBA
8 Ohm	84dBA	

SPLs given are per the UL 1480 specified reporting method.

Frequency response:

Fire alarm: 400 Hz to 4 kHz
General Signaling: 80 Hz to 16 kHz (±3 dB)



The Declaration of Conformity for this product can be found at www.bose.com/static/compliance/index.html.

Wire gauge

The FreeSpace® DS 16F loudspeaker is designed to work with 18 AWG (0.8 mm²) to 14 AWG (2.0 mm²) size wire only.

BOSE[®]
Better sound through research[®]

©2007 Bose Corporation, The Mountain
Framingham, MA 01701-9168 USA
AM299985 Rev.00